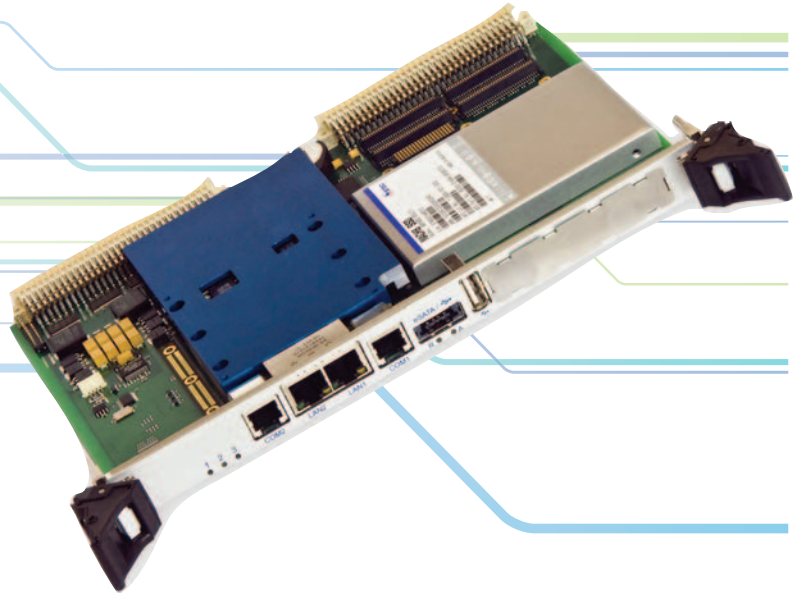


## 6U VMEbus CPU board based on Freescale P2020 QorIQ

### VME2020

- 6U VMEbus, high speed 2eSST interface
- QorIQ P2020 CPU, up to 1.33 GHz core speed
- Up to 2 GB DDR2 soldered ECC RAM
- Up to 512 MB NAND Flash
- Extended temperature to -40°/+85°C
- Linux, VxWorks, QNX, OS-9



### FEATURES

**More CPU Performance** –The QorIQ P2020 delivers high single-threaded performance per watt for a wide variety of applications in the networking, telecom, military and industrial markets

**High Reliability for Critical Application** –The VME2020 has soldered -down processor and memory, ensuring critical operation; moreover, ECC support adds further reliability.

**Extended Temperature** – The VME2020 is offered in versions with operating temperatures of -40°/+85°C

**Feature Rich, High Speed Interface** – I/O includes 10/100/1000 Mbit Ethernet, eSATA, USB, COM ports, HDMI (processor option), Micro-SD card connector, CAN, 16/pi JTAG

- Defense
- Homeland Security
- Aerospace
- Industrial
- Transportation

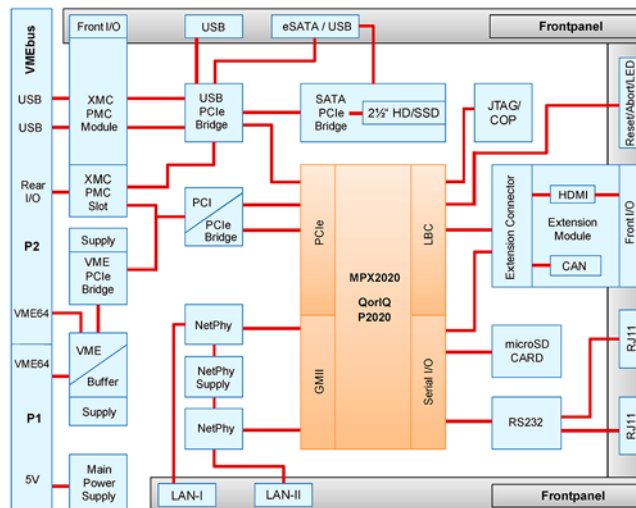
The VME2020 board is a 6U VMEbus board solution, based on the Freescale QorIQ Power Architecture. The product family addresses applications from low performance and power requirements up to high performance multi core usage profiles.

The VME2020 board is operated by a QorIQ P2020 dual core processor. The boards are specified for rugged and harsh environmental conditions and versions for the extended temperature range of -40°C to +85°C are available on request. Mass storage options like an on board SATA-connector for SATA compatible 2,5" devices and a microSD-card interface are available. Via the front panel eSATA and other I/O-functions, like 2 x USB and two GB Ethernet connectors with 1588 time stamping are easily accessible. Additional I/O functions are provided by a PMC/XMC interface and by a local bus extension, to add custom I/O like CAN, ARINC, graphics, etc... Furthermore, a temperature compensated system clock is integrated, providing a highly accurate and reliable time base.

Variants with the P1013/1022 CPUs are available to enable additional functions, like graphics or audio for a single or dual core performance envelope.

### System Architecture

PROCESSOR	QorIQ P2020 CPU, up to 1.33 GHz core speed
MEMORY	Up to 2 GB DDR2-soldered ECC RAM and up to 512 MB NAND Flash memory
VMEbus	Conforms to VMEbus specification ANSI/IEEE STD1014-1987-and ANSI/VITA 1-1994 6U VMEbus CPU Board, 2eSST VME-Bus interface
SYSTEM I/O	2 x 10/100/1000 Mbit Ethernet eSATA/USB 2 x USB 2 x RS232 RJ11 HDMI (processor option) CAN interface Interface for memory mapped I/O modules
MASS STORAGE	MicroSD-card connector SATA interface for standard 2,5" on board mass storage devices Various boot options
PMC/XMC	64-bit slot
TOOLS	16-pin JTAG/COP interface CPU temperature monitoring
POWER	5V only
ENVIRONMENTAL	Operating temperature: 0°C to +70°C, optional -40°C to +85°C



PART#	DESCRIPTION
839201	P2020 @ 1,2GHZ, 1 GB ECC RAM (DDR2), 256MB NAND FLASH
839202	P2020 @ 1,2GHZ, 2 GB ECC RAM (DDR2), 256MB NAND FLASH

Note: The information in this document is subject to change without notice and should not be construed as a commitment by EUROTECH. While reasonable precautions have been taken, EUROTECH assumes no responsibility for any error that may appear in this document. All trademarks or registered trademarks are the properties of their respective companies.